

DKI TYPE

DUST SEALS FOR
RECIPROCAL MOVEMENT
IRON RUBBER (AU)



- Please designate NOK Part number and type & size on your order.

(Example) · Type Dimensions

DKI 6.3 16 5 7

Type Sign

Nominal Size of Dust Seal
described in order of
inner diameter(d), outer diameter(D), thickness(t), and height(h)

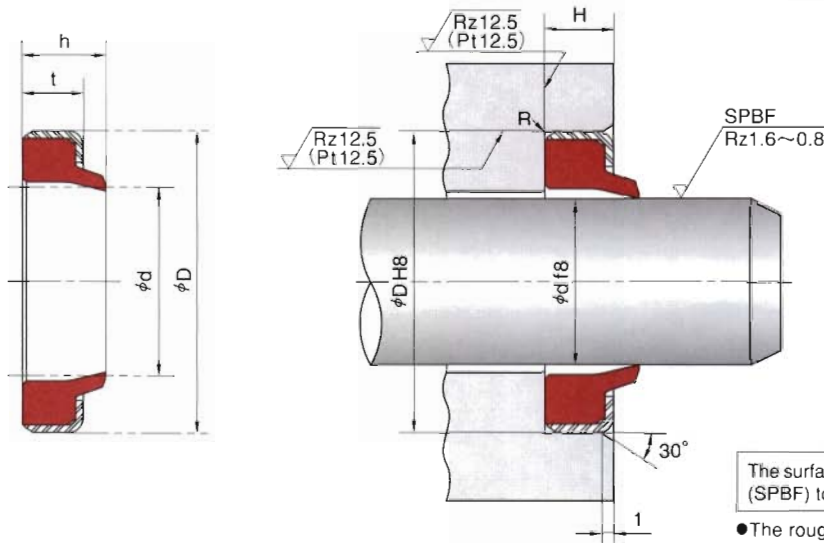
· Part Number

FD0064A0

- Please check the application range on pages 14 and 15 before selecting the type.

Material	NOK U801 + Metal case (SPCC)
-----------------	------------------------------

DKI TYPE DUST SEALS FOR RECIPROCAL MOVEMENT



R = 0.3 or below

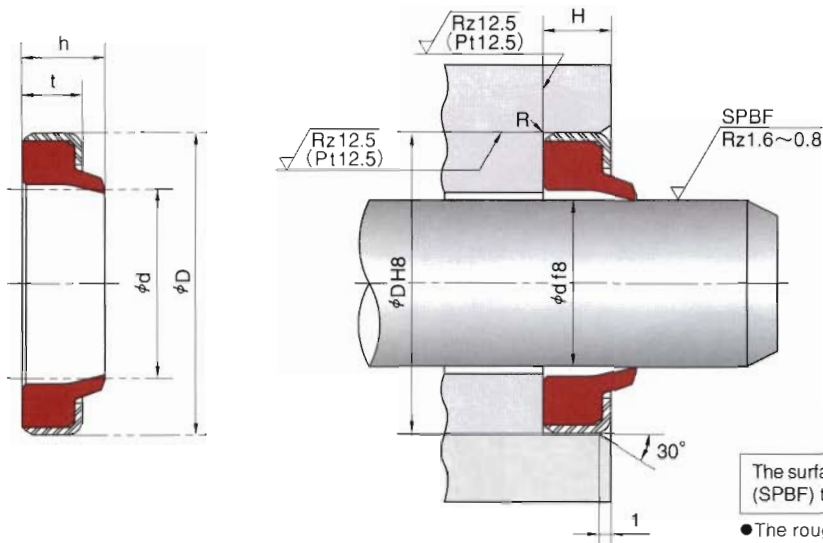
The surface of the rod should be finished by buffing (SPBF) to 0.8 to 1.6 μmRz (0.2 to 0.4 μmRa).

●The roughness is JIS B 0601 : 2001.
When regulation length cannot be kept, apply Pt.

Nominal Size of Dust Seal, and Housing dimensions

d	D	t	h	H	NOK Part Number
6.3	16	5	7	5 ^{+0.5} / _{+0.3}	FD0064A0
7.1	17				FD0095A0
8	18				FD0142A0
9	19				FD0199A0
10	20				FD0258A0
11.2	21				FD0332A0
12.5	23				FD0412A0
14	24				FD0513A0
15	25				FD0586A0
16	26				FD0677A0
18	30	6	9	6 ^{+0.5} / _{+0.3}	FD0815A0
20	32				FD0995A0
22.4	34.4				FD1203A0
25	37				FD1301A0
27	39				FD1503A0
28	40				FD1536A0
30	42				FD1664A0
31.5	44				FD1803A0
32	44				FD1870A0
35	47				FD2041A0
35.5	47.5	7	10	7 ^{+0.5} / _{+0.3}	FD2149A0
38	50				FD2217A0
40	52				FD2342A0
45	57				FD2633A0
47	59				FD2729A0
50	62				FD2831A0
53	67				FD2985A0
55	69				FD3033A0
56	70				FD3089A0
60	74				FD3187A0
63	77	FD3313A0			
64	78	FD3366A0			
65	79	FD3381A0			
67	81	FD3447A0			
70	84	8	11	8 ^{+0.6} / _{+0.4}	FD3493A0
71	85				FD3546A0
75	89				FD3596A0
80	94				FD3720A0
85	99				FD3828A0
90	104				FD3913A0
92	106				FD3957A0
95	109				FD3976A0
100	114				FD4046A0

F DIMENSION
DKI



R = 0.3 or below

The surface of the rod should be finished by buffing (SPBF) to 0.8 to 1.6 μmRz (0.2 to 0.4 μmRa).

● The roughness is JIS B 0601 : 2001.
When regulation length cannot be kept, apply Pt.

Nominal Size of Dust Seal, and Housing dimensions

d	D	t	h	H	NOK Part Number			
105	121	9	12	9 ^{+0.6} / _{+0.4}	FD4142A0			
106	122				FD4168A0			
108	125				FD4187E0			
110	126				FD4196A0			
112	128				FD4232A0			
115	131				FD4272E0			
118	134				FD4317A0			
120	136				FD4326A0			
125	141				FD4393A0			
130	146				FD4438A0			
132	148				FD4476A0			
135	155				10	14	10 ^{+0.6} / _{+0.4}	FD4492A0
140	160	FD4533A0						
145	165	FD4578A0						
150	170	FD4615A0						
155	175	FD4663E0						
160	180	FD4704A0						
165	185	FD4733A0						
170	190	FD4785A0						
175	195	FD4839A0						
180	205	FD4890A0						
185	210	FD4941E0						
190	215	FD4969A0						
200	225	FD5048A0						
210	235	FD5129E0						
212	237	FD5151A0						
220	245	12	17	12 ^{+0.7} / _{+0.5}	FD5200A0			
224	249				FD5237A0			
225	250				FD5245F0			
230	255				FD5277A0			
236	261				FD5326A0			
240	265				FD5336A0			
245	270				FD5379E0			
250	275				FD5396A0			
260	285				FD5451E0			
265	290				FD5480A0			
280	310				16	22	16 ^{+0.7} / _{+0.5}	FD5556A0
290	320							FD5584E0
300	330	FD5622A0						

F DIMENSION ODI

DWI TYPE

DUST SEALS FOR
RECIPROCAL MOVEMENT
IRON RUBBER (AU)



F
DIMEN
SION
D
W
I

- Please designate NOK Part number and type & size on your order.

(Example) • Type Dimensions

DWI 40 52 7

Type Sign

Nominal Size of Dust Seal
described in order of
inner diameter(d), outer diameter(D), and height(h)

• Part Number

FD2342G0

- Please check the application range on pages 14 and 15 before selecting the type.

Material	NOK U801 + Metal case (SPCC)
-----------------	------------------------------

DWIR TYPE

DUST SEALS FOR
RECIPROCAL MOVEMENT
IRON RUBBER (AU)



F
DIMENSION
DWIR

● Please designate NOK Part number and type & size on your order.

(Example) · Type Dimensions DWIR 25 37 6 6.9

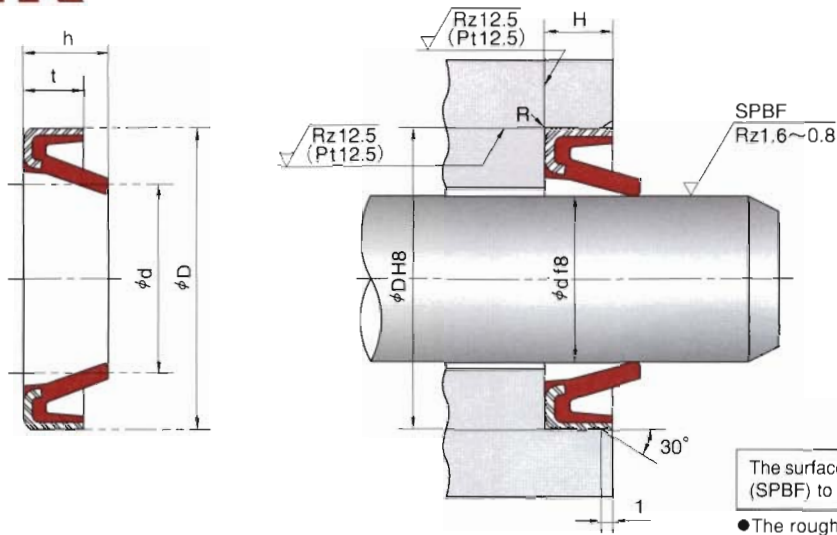
└── Type Sign └── Nominal Size of Dust Seal
described in order of
inner diameter(d), outer diameter(D), thickness(t), and height(h)

· Part Number FD1301G0

● Please check the application range on pages 14 and 15 before selecting the type.

Material	NOK U801 + Metal case (SPCC)
-----------------	------------------------------

DWIR TYPE DUST SEALS FOR RECIPROCAL MOVEMENT



Nominal Size of Dust Seal, and Housing dimensions					NOK Part Number
d	D	t	h	H	
25	37	6	6.9	6 ^{+0.5} / _{+0.3}	FD1301G0
30	42				FD1664J0
35	47	7	7.9	7 ^{+0.5} / _{+0.3}	FD2041J0
40	52		10		FD2342H0
45	57	8	11.3	8 ^{+0.6} / _{+0.4}	FD2633J0
55	69				FD3033I0
60	74				FD3187G0
65	79				FD3381G0
70	84				FD3493K0
75	89				FD3596I0
80	94				FD3720K0
85	99				FD3828M0
90	104				FD3913G0
95	109				FD3976K0
100	114	9	12.3	9 ^{+0.6} / _{+0.4}	FD4046G0
105	121				FD4142H0
110	126				FD4196G0
120	136				FD4326G0
130	146	10	13.3	10 ^{+0.6} / _{+0.4}	FD4438H0
140	160				FD4533H0

F
DIMENSION
DWIR

DKBI TYPE

DUST SEALS FOR
RECIPROCAL MOVEMENT
IRON RUBBER (AU)



F
DIMEN
SION
DKBI

- Please designate NOK Part number and type & size on your order.

(Example) · Type Dimensions

DKBI 20 32 6 9

Type Sign

Nominal Size of Dust Seal
described in order of

inner diameter(d), outer diameter(D), thickness(t), and height(h)

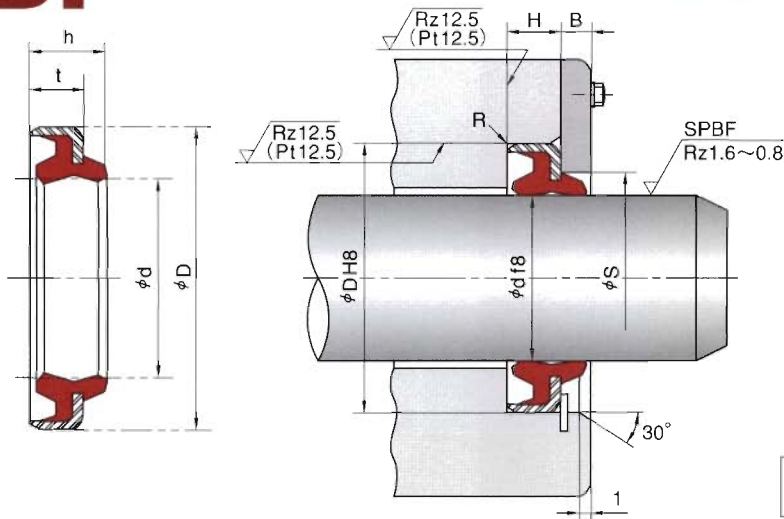
· Part Number

FD0995F0

- Please check the application range on pages 14 and 15 before selecting the type.

Material	NOK U801 + Metal case (SPCC)
-----------------	------------------------------

DKBI TYPE DUST SEALS FOR RECIPROCAL MOVEMENT



Pressure plate system

Reference

Circlip system

R = 0.3 or below

The surface of the rod should be finished by buffing (SPBF) to 0.8 to 1.6 μmRz (0.2 to 0.4 μmRa).

● The roughness is JIS B 0601 : 2001.
When regulation length cannot be kept, apply Pt.

Nominal Size of Dust Seal, and Housing dimensions

d	D	t	h	H	φS	B	NOK Part Number
20	32	6	9	$6^{+0.5}_{+0.3}$	27	4	FD0995F0
25	37				32		FD1301E0
30	42				37		FD1664E0
32	44				39		FD1870E0
34	46				41		FD1962E1
35	47	42	FD2041E1				
38	50	7	10	$7^{+0.5}_{+0.3}$	45		FD9940E0
40	52				47		FD2342F0
45	57				52		FD2633G0
50	62				57		FD2831E0
55	69				62		FD3033E1
60	74	8	11	$8^{+0.6}_{+0.4}$	67		FD3187E0
65	79				72		FD3381E0
70	84				77		FD3493E0
75	89				82		FD3596E0
80	94				87	FD3720E0	
85	99	8	12	$8^{+0.6}_{+0.4}$	92	FD3828G0	
90	104				97	FD3913E0	
95	109				102	FD3976E0	
100	114				107	FD4046E1	
105	121				113	FD6722E0	
110	126	9	12	$9^{+0.6}_{+0.4}$	118	FD4196E0	
115	131				123	FD4272I0	
120	136				128	FD4326E0	
130	146				138	FD4438F0	
140	160				10	14	$10^{+0.6}_{+0.4}$

F DIMENSION DKBI

DKB TYPE

DUST SEALS FOR
RECIPROCAL MOVEMENT
NITRILE RUBBER (NBR)



F
DIMEN
SION
DKB

- Please designate NOK Part number and type & size on your order.

(Example) · Type Dimensions

DKB 14 24 5 7

Type Sign

Nominal Size of Dust Seal
described in order of

inner diameter(d), outer diameter(D), thickness(t), and height(h)

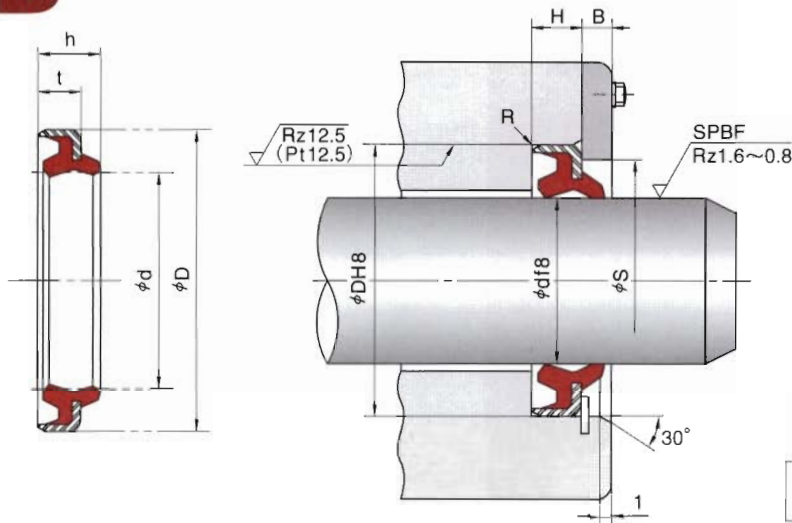
· Part Number

AR0513F5

- Please check the application range on pages 14 and 15 before selecting the type.

Material	NOK A795 + Metal case (SPCC)
-----------------	------------------------------

DKB TYPE DUST SEALS FOR RECIPROCAL MOVEMENT



Pressure plate system

Reference

Circlip system

R = 0.3 or below

The surface of the rod should be finished by buffing (SPBF) to 0.8 to 1.6 μmRz (0.2 to 0.4 μmRa).

● The roughness is JIS B 0601 : 2001.
When regulation length cannot be kept, apply Pt.

Nominal Size of Dust Seal, and Housing dimensions

d	D	t	h	H	φS	B	NOK Part Number
14	24	5	7	5 ^{+0.5} / _{+0.3}	19	4	AR0513F5
16	26				21		AR0677E5
18	30				25		AR0815F5
20	32				27		AR0995E1
22	34				29		AR1121F5
22.4	34.4	6	9	6 ^{+0.5} / _{+0.3}	29		AR1203F5
25	37				32		AR1301H5
28	40				35		AR1536F5
30	42				37		AR1664F5
31.5	44				38.5		AR1803G5
32	44	7	10	7 ^{+0.5} / _{+0.3}	39		AR1870F5
35	47				42		AR2041E5
35.5	47.5				42.5		AR2149F5
36	48				43		BR1418E5
40	52				47		AR2342E5
45	57	8	11	8 ^{+0.6} / _{+0.4}	52	AR2633G5	
50	62				57	AR2831F5	
55	69				62	AR3033F5	
56	70				63	AR3089G5	
60	74				67	AR3187G5	
63	77	9	12	9 ^{+0.6} / _{+0.4}	70	AR3313F5	
65	79				72	AR3381F5	
70	84				77	AR3493F5	
75	89				82	AR3596G5	
80	94				87	AR3720I5	
85	99	10	14	10 ^{+0.6} / _{+0.4}	92	AR3828F5	
90	104				97	AR3913E0	
95	109				102	AR3976G5	
100	114				107	AR4046G5	
105	121				113	AR4142F5	
110	126	12	17	12 ^{+0.7} / _{+0.5}	118	AR4196F5	
112	128				120	AR4232F5	
120	136				128	AR4326E5	
125	141				133	AR4393F5	
140	160				150	14	10 ^{+0.6} / _{+0.4}
145	165	155	AR4578E5				
150	170	160	AR4615E5				
155	175	165	AR4663E5				
160	180	170	AR4704G5				
170	190	180	17	12 ^{+0.7} / _{+0.5}	180	AR4785E5	
175	195				185	AR4839F5	
180	205				191	AR4890G5	
200	225				212	AR5048G5	
225	250				237	AR5245F5	
250	275	262	AR5396F5				

F DIMENSION DKB

DKH TYPE

DUST SEALS FOR
RECIPROCAL MOVEMENT
NITRILE RUBBER (NBR)



F
DIMEN
SION

D
K
H

● Please designate NOK Part number and type & size on your order.

(Example) · Type Dimensions

DKH 10 20 5 7

Type Sign

Nominal Size of Dust Seal
described in order of
inner diameter(d), outer diameter(D), thickness(t), and height(h)

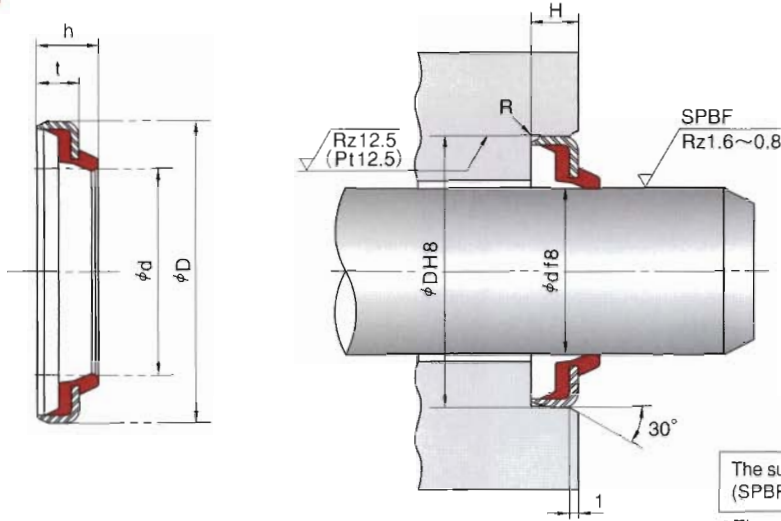
· Part Number

AR0258E5

● Please check the application range on pages 14 and 15 before selecting the type.

Material	<p>NOK A795 + Metal case (SPCC) : Outer diameter 300mm or less</p> <p>NOK A104 + Metal case (SPCC) : Outer diameter more than 300mm</p>
-----------------	---

DKH TYPE DUST SEALS FOR RECIPROCAL MOVEMENT



R = 0.3 or below

The surface of the rod should be finished by buffing (SPBF) to 0.8 to 1.6 μmRz (0.2 to 0.4 μmRa).

●The roughness is JIS B 0601 : 2001.
When regulation length cannot be kept, apply Pt.

Nominal Size of Dust Seal, and Housing dimensions					NOK Part Number
d	D	t	h	H	
10	20	5	7	5 ^{+0.5} / _{+0.3}	AR0258E5
15	25				AR0586E5
20	32				AR0995F5
22.4	34.4	6	9	6 ^{+0.5} / _{+0.3}	AR1203G5
25	37				AR1301F5
28	40				AR1536G5
30	42				AR1664G5
35	47				AR2041F5
35.5	47.5				AR2149J5
40	52	7	10	7 ^{+0.5} / _{+0.3}	AR2342F5
45	57				AR2633I5
50	62				AR2831H5
55	69				AR3033G5
60	74				AR3187J5
65	79				AR3381G5
80	94				8
85	99	AR3828G5			
90	104	AR3913F5			
95	109	AR3976H5			
100	114	AR4046E5			
105	121	AR4142E5			
120	136	9	12	9 ^{+0.6} / _{+0.4}	AR4326H5
130	146				AR4438E5
155	175				AR4663F5
210	235	12	17	12 ^{+0.7} / _{+0.5}	AR5129E5
230	255				AR5277E5
240	265				AR5336E5
265	290				AR5480E5
300	330				AR5622B5
310	340				AR5668B5
315	345	16	22	16 ^{+0.7} / _{+0.5}	AR5685B5
330	360				AR5741B5
335	365				AR5761B5
440	480				AR6021B5
460	490	20	25	20 ^{+0.8} / _{+0.6}	AR6073B5
470	510				AR6094B5
500	530	16	22	16 ^{+0.7} / _{+0.5}	AR6140B5

F DIMENSION DKH

DSI TYPE

DUST SEALS FOR
RECIPROCAL MOVEMENT
IRON RUBBER (AU)



F
DIMEN
SION

D
S
I

- Please designate NOK Part number and type & size on your order.

(Example) · Type Dimensions DSI 6.3 14.3 4.5 6

Type Sign

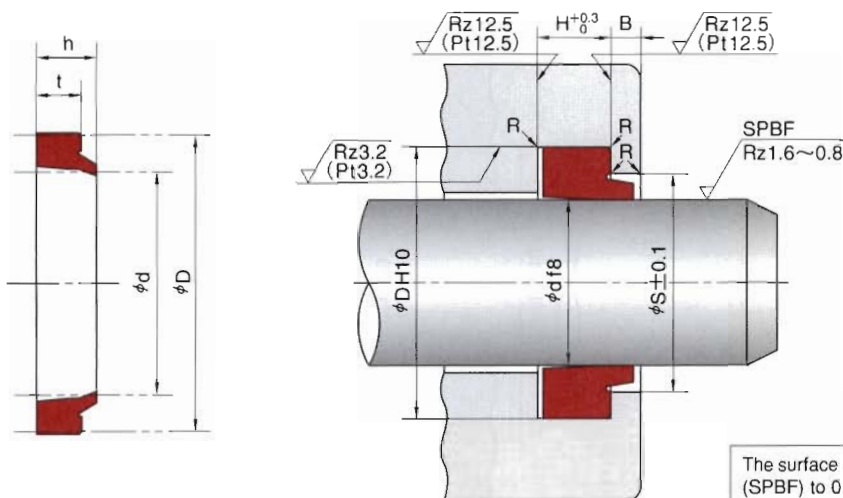
Nominal Size of Dust Seal
described in order of
inner diameter(d), outer diameter(D), thickness(t), and height(h)

· Part Number FQ0000D0

- Please check the application range on pages 14 and 15 before selecting the type.

Material	NOK U801
-----------------	----------

DSI TYPE DUST SEALS FOR RECIPROCAL MOVEMENT (INSTALLED WITH INTERNAL GROOVE)



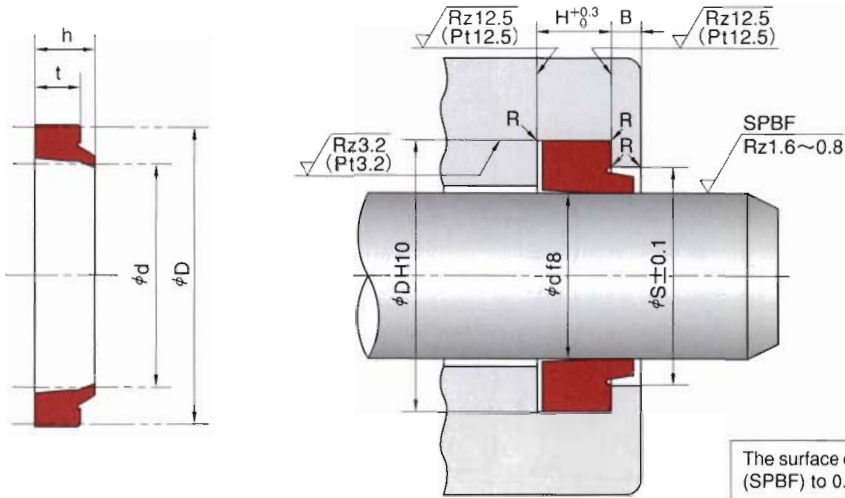
The surface of the rod should be finished by buffing (SPBF) to 0.8 to 1.6 μmRz (0.2 to 0.4 μmRa).

- The roughness is JIS B 0601 : 2001. When regulation length cannot be kept, apply Pt.

Nominal Size of Dust Seal, and Housing dimensions							NOK Part Number
d	D	t	h	H	φS	B	
6.3	14.3	4.5	6	5	10.3	2	FQ000D0
8	16				FQ0002D0		
9	17				FQ0003D0		
10	18				FQ0004D0		
11.2	19.2				FQ0005D0		
12.5	20.5				FQ0006D0		
14	22				FQ0007D0		
15	23				FQ0008D0		
16	24				FQ0011D0		
18	26				FQ0013D0		
20	28				FQ0014D0		
22.4	30.4				FQ0016D0		
23.5	31.5				FQ0017D0		
25	33				FQ0018D0		
28	36	FQ0023D0					
30	38	FQ0025D0					
31.5	39.5	FQ0027D0					
35	43	FQ0031D0					
35.5	43.5	FQ0034D0					
40	48	FQ0035D0					
45	53	FQ0039D0					
45.5	53.5	FQ0864D0					
50	58	FQ0041D0					
53	61	FQ0044D0					
54.5	62.5	FQ0857D0					
55	63	FQ0045D0					
56	64	FQ0048D0					
60	68	FQ0049D0					
62	70	FQ0856D0					
63	71	FQ0054D0					
65	73	FQ0057D0					
67	75	FQ0058D0					
70	80	FQ0059D0					
71	81	FQ0062D0					
75	85	FQ0063D0					
76	86	FQ0250D0					
80	90	FQ0064D0					
85	95	FQ0066D0					
90	100	FQ0070D0					
95	105	FQ0071D0					
97	107	FQ0251D0					
100	110	FQ0072D0					

F DIMENSION DSI

DSI TYPE DUST SEALS FOR RECIPROCAL MOVEMENT (INSTALLED WITH INTERNAL GROOVE)



R = 0.3 or below

The surface of the rod should be finished by buffing (SPBF) to 0.8 to 1.6 μ mRz (0.2 to 0.4 μ mRa).

- The roughness is JIS B 0601 : 2001.
When regulation length cannot be kept, apply Pt.

Nominal Size of Dust Seal, and Housing dimensions

d	D	t	h	H	φS	B	NOK Part Number
105	115	6	8	7	110	3	FQ0075D0
106	116				111		FQ0078D0
110	120				115		FQ0079D0
112	122				117		FQ0082D0
118	128				123		FQ0085D0
120	130				125		FQ0087D0
125	138				132		FQ0091D0
130	143	7	9.5	8	137	4	FQ0093D0
132	145				139		FQ0095D0
140	153				147		FQ0097D0
145	158				152		FQ0099D0
150	163				157		FQ0101D0
155	168				162		FQ0103D0
160	173				167		FQ0105D0
170	183				177		FQ0106D0
175	188				182		FQ0108D0
180	193				187		FQ0111D0
185	198				192		FQ0114D0
190	203				197		FQ0115D0
199	212				206		FQ0116D0
200	213	207	FQ0117D0				
204	217	211	FQ0119D0				
210	223	217	FQ0120D0				
215	228	222	FQ0408D1				
220	233	227	FQ0123D0				
224	237	231	FQ0124D0				
225	238	232	FQ0125D0				
230	243	237	FQ0127D0				
240	253	247	FQ0129D0				
250	263	257	FQ0130D0				
260	275	268	FQ0134D0				
270	285	278	FQ0135D0				
280	295	288	FQ0136D0				
290	305	298	FQ0138D0				
300	315	308	FQ0139D0				

LBI TYPE

DUST SEALS FOR
RECIPROCAL MOVEMENT
IRON RUBBER (AU)



● Please designate NOK Part number and type & size on your order.

(Example) · Type Dimensions

LBI 18 26 4.5 6

Type Sign

Nominal Size of Dust Seal
described in order of

inner diameter(d), outer diameter(D), thickness(t), and height(h)

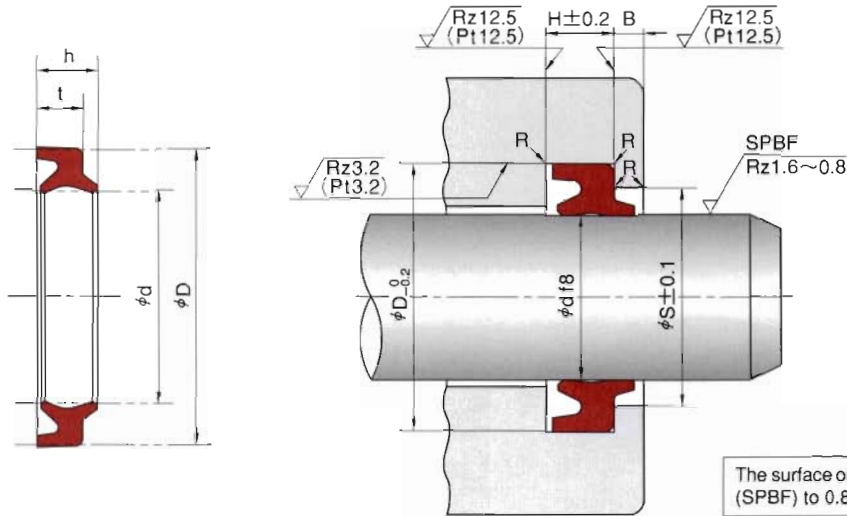
· Part Number

FQ0013C0

● Please check the application range on pages 14 and 15 before selecting the type.

Material	NOK U593
-----------------	----------

LBI TYPE DUST SEALS FOR RECIPROCAL MOVEMENT (INSTALLED WITH INTERNAL GROOVE)



The surface of the rod should be finished by buffing (SPBF) to 0.8 to 1.6 μmRz (0.2 to 0.4 μmRa).

- The roughness is JIS B 0601 : 2001.
When regulation length cannot be kept, apply Pt.

Nominal Size of Dust Seal, and Housing dimensions

d	D	t	h	H	ϕS	B	NOK Part Number		
18	26	4.5	6	5	22.3	2	FQ0013C0		
20	28				FQ0014C0				
22	30				FQ0651C0				
22.4	30.4				FQ0016C0				
25	33				FQ0018C0				
26	34				FQ0841C0				
28	36				FQ0023C0				
30	38				FQ0025C1				
31.5	39.5				FQ0027C0				
32	40				FQ0568C1				
34	42	5	6.5	6	38	FQ0285C0			
35	43				39	FQ0031C1			
35.5	43.5				39.5	FQ0034C0			
38	46				42	FQ0281C1			
40	48				44	FQ0035C1			
45	53				49	FQ0039C1			
48	56				52	FQ0272C0			
50	58				54	FQ0041C0			
55	63				59	FQ0045C1			
56	64				60	FQ0048C1			
58	66	62	FQ0286C0						
60	68	64	FQ0049C1						
63	71	67	FQ0054C0						
65	73	69	FQ0057C1						
70	80	6	8	7	75	FQ0059C0			
71	81				76	FQ0062C0			
75	85				80	FQ0063C0			
80	90				85	FQ0064C0			
85	95				90	FQ0066C0			
90	100				95	FQ0070C0			
95	105				100	FQ0071C0			
100	110				105	FQ0072C0			
105	115				110	FQ0075C0			
112	122				7	9.5	8	117	FQ0082C0
125	138	132	FQ0091C0						
140	153	147	FQ0097C0						
150	163	157	FQ0101C0						
180	193	187	FQ0111C0						
185	198	192	FQ0114C0						
200	213	207	FQ0117C0						
210	223	217	FQ0120C0						
250	265	9	11.5	10				258	FQ0131C0

F DIMENSION LBI

LBH TYPE

DUST SEALS

NITRILE RUBBER (NBR)

FLUORORUBBER (FKM)



F
DIMEN
SION

L
B
H

● Please designate NOK Part number and type & size on your order.

(Example) • Type Dimensions

LBH 12 20 4.5 6

Type Sign

Nominal Size of Dust Seal
described in order of
inner diameter(d), outer diameter(D), thickness(t), and height(h)

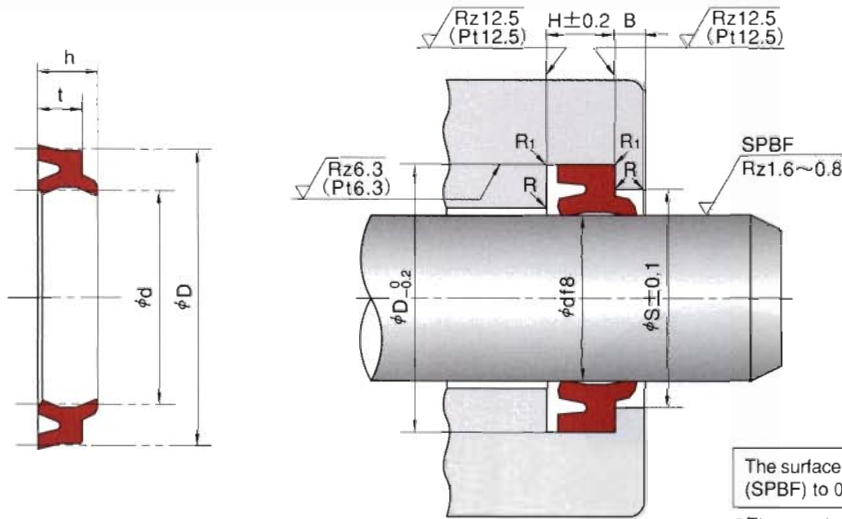
• Part Number

CL0480C0

● Please check the application range on pages 14 and 15 before selecting the type.

Material	Standard : NOK A505 Heat resistant type : NOK F357
-----------------	---

LBH TYPE DUST SEALS (INSTALLED WITH INTERNAL GROOVE)



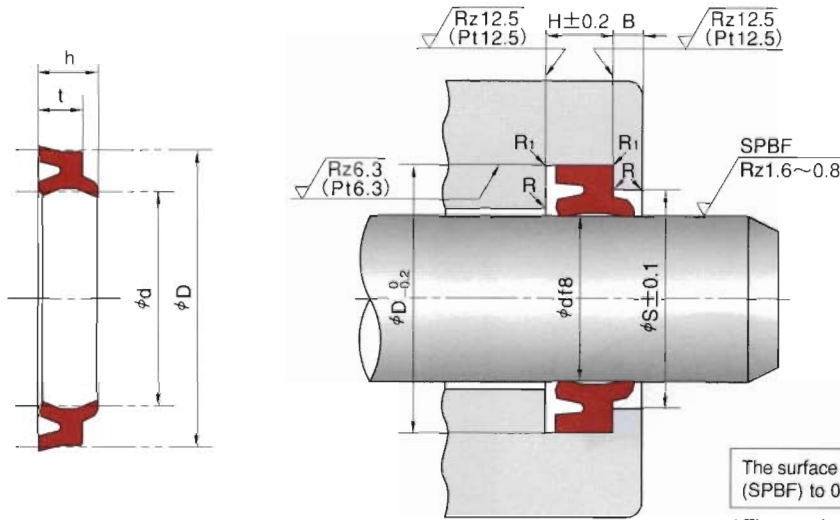
R = 0.3 or below
R₁ = 0.5 or below

The surface of the rod should be finished by buffing (SPBF) to 0.8 to 1.6 μmRz (0.2 to 0.4 μmRa).

● The roughness is JIS B 0601 : 2001.
When regulation length cannot be kept, apply Pt.

Nominal Size of Dust Seal, and Housing dimensions							Standard (A505)		Heat resistant type(F357)	
d	D	t	h	H	φS	B	NOK Part Number	Nominal Number	NOK Part Number	Nominal Number
12	20	4.5	6	5	16.3	2	CL0480C0	LBH-12		
12.5	20.5				16.8		CL0447C1	LBH-12.5		
14	22				18.3		CL0432C0	LBH-14		
16	24				20.3		CL0293C0	LBH-16	CL0293C3	LBH-16F
18	26				22.3		CL0011C0	LBH-18	CL0011C6	LBH-18F
20	28				24.3		CL0017C0	LBH-20	CL0017C4	LBH-20F
22	30				26.3		CL0240C0	LBH-22	CL0240C3	LBH-22F
22.4	30.4				26.7		CL0026C3	LBH-22.4	CL0026C6	LBH-22.4F
25	33				29.3		CL0031C0	LBH-25	CL0031C2	LBH-25F
28	36				32.3		CL0042C0	LBH-28	CL0042C4	LBH-28F
30	38	5	6.5	6	34	CL0050C0	LBH-30	CL0050C3	LBH-30F	
31.5	39.5				35.5	CL0054C0	LBH-31.5	CL0054C3	LBH-31.5F	
32	40				36	CL0363C0	LBH-32	CL0363C3	LBH-32F	
35	43				39	CL0066C1	LBH-35	CL0066C4	LBH-35F	
35.5	43.5				39.5	CL0072C0	LBH-35.5	CL0072C4	LBH-35.5F	
36	44				40	CL0335C1	LBH-36			
40	48				44	CL0077C2	LBH-40	CL0077C4	LBH-40F	
45	53				49	CL0085C0	LBH-45	CL0085C4	LBH-45F	
50	58				54	CL0087C3	LBH-50	CL0087C5	LBH-50F	
53	61				57	CL0100C0	LBH-53	CL0100C2	LBH-53F	
55	63	59	CL0104C0	LBH-55	CL0104C2	LBH-55F				
56	64	60	CL0105C1	LBH-56	CL0105C4	LBH-56F				
60	68	64	CL0107C0	LBH-60	CL0107C2	LBH-60F				
63	71	67	CL0109C1	LBH-63	CL0109C3	LBH-63F				
65	73	69	CL0115C0	LBH-65	CL0115C2	LBH-65F				
67	75	71	CL0118C1	LBH-67	CL0118C2	LBH-67F				
70	80	6	8	7	75	CL0121C0	LBH-70	CL0121C3	LBH-70F	
71	81				76	CL0125C0	LBH-71	CL0125C2	LBH-71F	
75	85				80	CL0127C0	LBH-75	CL0127C2	LBH-75F	
80	90				85	CL0138C1	LBH-80	CL0138C3	LBH-80F	
85	95				90	CL0142C0	LBH-85	CL0142C3	LBH-85F	
90	100				95	CL0149C0	LBH-90	CL0149C4	LBH-90F	
95	105				100	CL0152C0	LBH-95	CL0152C3	LBH-95F	
100	110				105	CL0154C2	LBH-100	CL0154C4	LBH-100F	

Remark) The Part number and the one stamped on the product might be different in case of heat resistant type.



R = 0.3 or below
R_t = 0.5 or below

The surface of the rod should be finished by buffing (SPBF) to 0.8 to 1.6 μmRz (0.2 to 0.4 μmRa).

- The roughness is JIS B 0601 : 2001.
When regulation length cannot be kept, apply Pt.

Nominal Size of Dust Seal, and Housing dimensions							Standard (A505)		Heat resistant type (F357)					
d	D	t	h	H	φS	B	NOK Part Number	Nominal Number	NOK Part Number	Nominal Number				
105	115	6	8	7	110	3	CL0476C0	LBH-105						
106	116				111		CL0162C0	LBH-106						
110	120				115		CL0448C0	LBH-110	CL0448C2	LBH-110F				
112	122				117		CL0166C2	LBH-112	CL0166C3	LBH-112F				
115	125				120		CL0478C0	LBH-115						
118	128				123		CL0466C0	LBH-118						
120	133	7	9.5	8	127	CL0245C1	LBH-120							
125	138				132	CL0171C0	LBH-125	CL0171C3	LBH-125F					
132	145				139	CL0174C0	LBH-132							
140	153				147	CL0179C1	LBH-140	CL0179C4	LBH-140F					
145	158				152	CL0182C0	LBH-145	CL0182C1	LBH-145F					
150	163				157	CL0185C0	LBH-150							
155	168				162	CL0486C0	LBH-155							
160	173				167	CL0188C1	LBH-160	CL0188C3	LBH-160F					
	174				167	CL0487C0	LBH-160A							
165	178				172	CL0190C0	LBH-165							
170	183				177	CL0488C0	LBH-170							
	185				11	14	12	178	5	CL0191C0	LBH-170A			
175	188	7	9.5	8	182	3	CL0193C0	LBH-175						
180	193				187		CL0196C1	LBH-180	CL0196C4	LBH-180F				
	194				187		CL0489C0	LBH-180A						
190	203				197		CL0490C0	LBH-190						
200	213				207		CL0199C1	LBH-200	CL0199C3	LBH-200F				
205	218				212		CL0446C0	LBH-205						
210	223				217		CL0324C1	LBH-210						
224	237				231		CL0204C1	LBH-224	CL0204C2	LBH-224F				
240	256				10		13	11	248	4	CL0300C0	LBH-240		
250	266				9		12	10	258		CL0207C0	LBH-250A		
	266	10	13	11	258	CL0267C0	LBH-250							
280	296	9	12	10	288	CL0212C0	LBH-280A	CL0212C2	LBH-280AF					
355	371	10	13	11	363	CL0532C0	LBH-355							
	375		14		365	5	CL0301C0	LBH-355A						
400	416	13	408	4	CL0529C0	LBH-400								
500	520	11.5	15.5	12.5	510	5	CL0460C0	LBH-500						

Remark) The Part number and the one stamped on the product might be different in case of heat resistant type.

LBHK TYPE

DUST SEALS
NITRILE RUBBER (NBR)



F
DIMEN
SION
LBHK

● Please designate NOK Part number and type & size on your order.

(Example) • Type Dimensions LBHK 14 24 4.8 6.7

└── Type Sign

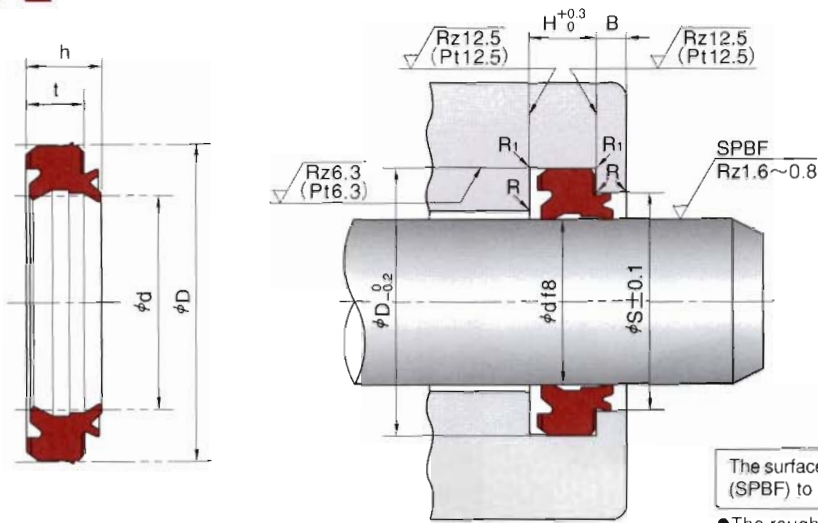
└── Nominal Size of Dust Seal described in order of inner diameter(d), outer diameter(D), thickness(t), and height(h)

• Part Number CL0533C0

● Please check the application range on pages 14 and 15 before selecting the type.

Material	Standard : NOK A505 Cold resistant type : NOK F357
-----------------	---

LBHK TYPE DUST SEALS (INSTALLED WITH INTERNAL GROOVE)



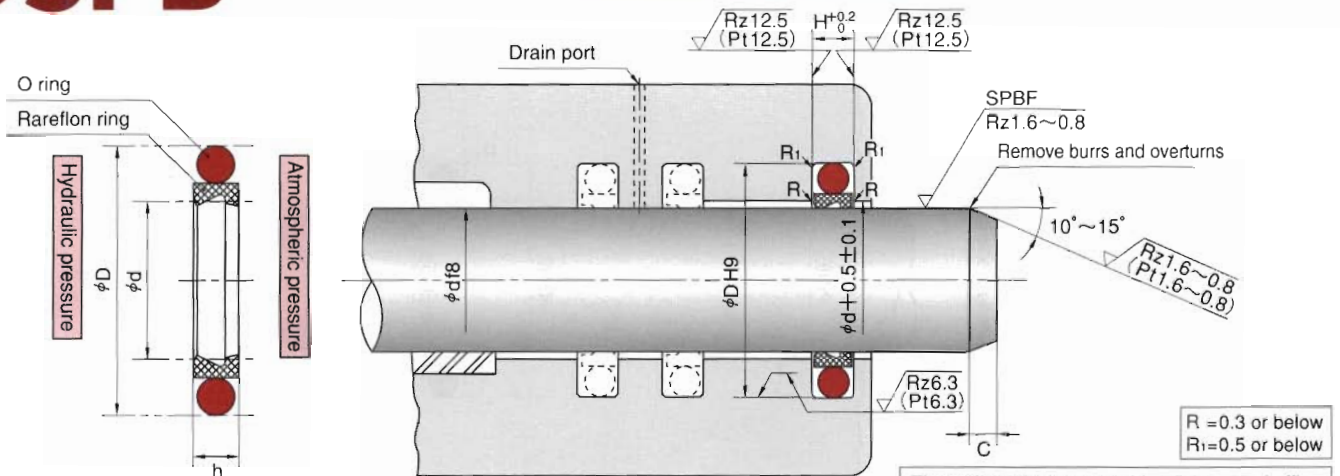
R = 0.3 or below
R₁ = 0.5 or below

The surface of the rod should be finished by buffing (SPBF) to 0.8 to 1.6 μmRz (0.2 to 0.4 μmRa).

● The roughness is JIS B 0601 : 2001.
When regulation length cannot be kept, apply Pt.

Nominal Size of Dust Seal, and Housing dimensions							NOK Part Number	
d	D	t	h	H	φS	B	Standard (A505)	Heat resistant type (A567)
14	24	4.8	6.7	5	19	3	CL0533C0	CL0533C1
18	30	5.8	7.8	6	24		CL0534C0	CL0534C1
20	32				26		CL0535C0	CL0535C1
25	37				31		CL0536C0	CL0536C1
28	40				34		CL0537C0	CL0537C1
30	42				36		CL0531C1	CL0531C0
31.5	44	6.8	8.8	7	38		CL0538C0	CL0538C1
35	47				41		CL0527C0	CL0527C1
35.5	47.5				41.5		CL0539C0	CL0539C1
40	52				46		CL0540C0	CL0540C1
45	57				51		CL0541C0	CL0541C1
50	62				56		CL0542C0	CL0542C1
55	69				62		CL0543C0	CL0543C1
56	70				63		CL0544C0	CL0544C1
60	74				67		CL0518C1	CL0518C2
63	77				70		CL0545C0	CL0545C1
65	79	72	CL0546C0	CL0546C1				
70	84	77	CL0547C0	CL0547C1				
71	85	7.7	10	8	78	CL0548C0	CL0548C1	
75	89				82	CL0549C0	CL0549C1	
80	94				87	CL0519C1	CL0519C2	
85	99				92	CL0550C0	CL0550C1	
90	104				97	CL0551C0	CL0551C1	
95	109				102	CL0552C0	CL0552C1	
100	114				107	CL0553C0	CL0553C1	
105	121				8.7	11.4	9	113
106	120	7.7	10	8	113	3	CL0555C0	CL0555C1
110	126	8.7	11.4	9	118	4	CL0556C0	CL0556C1
112	128				120		CL0557C0	CL0557C1
115	131				123		CL0558C0	CL0558C1
118	134				126		CL0559C0	CL0559C1
120	136				128		CL0560C0	CL0560C1

F DIMENSION LBHK

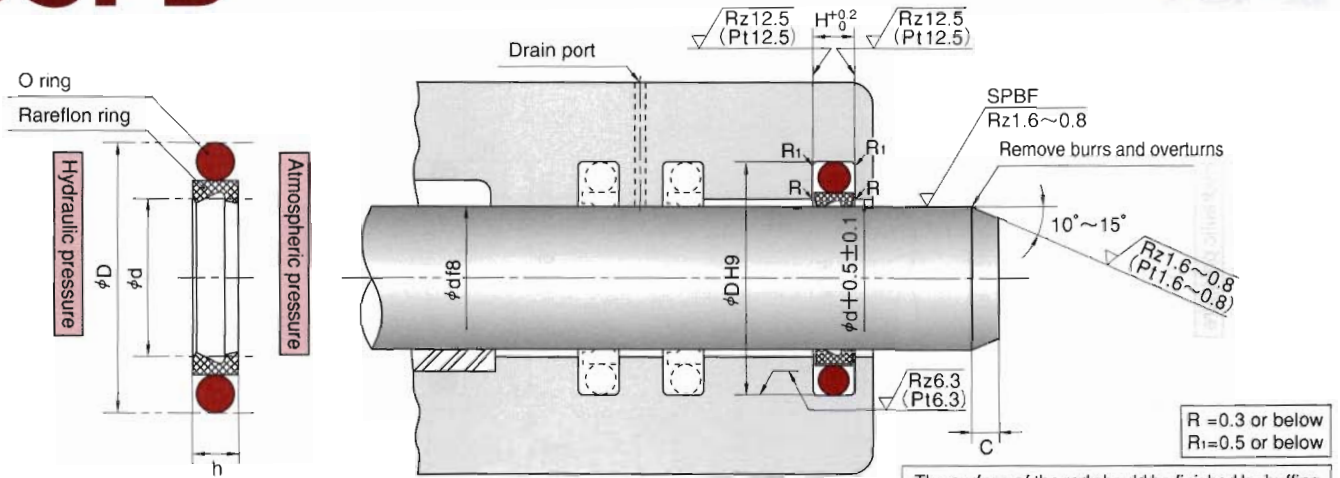


The surface of the rod should be finished by buffing (SPBF) to 0.8 to 1.6 $\mu m Rz$ (0.2 to 0.4 $\mu m Ra$).
 ● The roughness is JIS B 0601 : 2001.
 When regulation length cannot be kept, apply Pt.

Nominal Number	Nominal Size of Dust Seal, and Housing dimensions					NOK Part Number
	d	D	h	H	C	
DSPB 4	4	8.9	2.1	2.2	3.5	● GS5500V0
5	5	9.9				● GS5501V0
6	6	10.9				● GS5502V0
7	7	11.9				● GS5503V0
8S	8	12.9				● GS5504V0
8		15.3				● GS5505V0
10S	10	14.9				● GS5506V0
10		17.3				● GS5507V0
12S	12	16.9				● GS5508V0
12		19.3				● GS5509V0
14S	14	18.9	● GS5510V0			
14		21.3	● GS5511V0			
15S	15	19.9	● GS5512V0			
15		22.3	● GS5513V0			
16S	16	20.9	● GS5514V0			
16		23.3	● GS5515V0			
18S	18	22.9	● GS5516V0			
18		25.3	● GS5517V0			
20S	20	27.3	● GS5518V0			
20		30.7	● GS5519V0			
22S	22	29.3	● GS5520V0			
22		32.7	● GS5521V0			
22.4S	22.4	29.7	● GS5522V0			
22.4		33.1	● GS5523V0			
25S	25	32.3	● GS5524V0			
25		35.7	● GS5525V0			
28S	28	35.3	● GS5526V0			
28		38.7	● GS5527V0			
30S	30	37.3	● GS5528V0			
30		40.7	● GS5529V0			
32S	32	39.3	GS5530V0			
32		42.7	GS5531V0			
35S	35	42.3	GS5532V0			
35		45.7	GS5533V0			
35.5S	35.5	42.8	GS5534V0			
35.5		46.2	GS5535V0			
36S	36	43.3	GS5536V0			
36		46.7	GS5537V0			
38S	38	48.7	GS5538V0			
38		53.1	GS5539V0			

Remark) When using packings with mark ● as rod packing, provide separate grooves.

DSPB TYPE SPECIAL PACKINGS FOR DUST SEALS



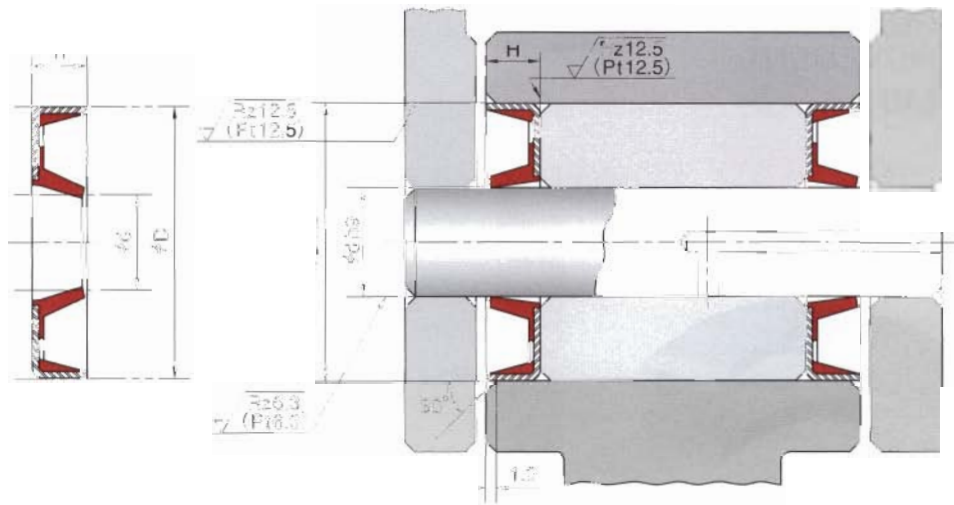
The surface of the rod should be finished by buffing (SPBF) to 0.8 to 1.6 μmRz (0.2 to 0.4 μmRa).

● The roughness is JIS B 0601 : 2001.
When regulation length cannot be kept, apply Pt.

Nominal Number	Nominal Size of Dust Seal, and Housing dimensions					NOK Part Number
	d	D	h	H	C	
DSPB 40S	40	50.7	4.1	4.2	5.5	GS5540V0
40		55.1	6.1	6.3		GS5541V0
42S	42	52.7	4.1	4.2		GS5542V0
42		57.1	6.1	6.3		GS5543V0
45S	45	55.7	4.1	4.2		GS5544V0
45		60.1	6.1	6.3		GS5545V0
50S	50	60.7	4.1	4.2		GS5546V0
50		65.1	6.1	6.3		GS5547V0
56S	56	66.7	4.1	4.2		GS5548V0
56		71.1	6.1	6.3		GS5549V0
60S	60	70.7	4.1	4.2	GS5550V0	
60		75.1			GS5551V0	
63	63	78.1			GS5552V0	
65	65	80.1			GS5553V0	
67	67	82.1			GS5554V0	
70	70	85.1			GS5555V0	
71	71	86.1			GS5556V0	
75	75	90.1			GS5557V0	
80	80	95.1			GS5558V0	
85	85	100.1			GS5559V0	
90	90	105.1			GS5560V0	
95	95	110.1			GS5561V0	
100	100	115.1			GS5562V0	
105	105	120.1	6.1	6.3	7	GS5563V0
110	110	125.1				GS5564V0
112	112	127.1				GS5565V0
115	115	130.1				GS5566V0
120	120	135.1				GS5567V0
125	125	140.1				GS5568V0
130	130	145.1				GS5569V0
135	135	150.1				GS5570V0
140	140	155.1				GS5571V0
150	150	165.1				GS5572V0
160	160	175.1	GS5573V0			
170	170	185.1	GS5574V0			
180	180	195.1	GS5575V0			

F DIMENSION DSPB

DLI TYPE DUST SEALS FOR OSCILLATING MOVEMENT



Nominal Size of Dust Seal, and installing dimensions				DMK Part Number
d	D	h	H	
40	50	5	5 ^{+0.05}	FD0001F0
50	60		5 ^{+0.05}	FD0002F0
50	68			FD0006E0
50	75			FD0007F0
65	80			
70	85			FD0029F0
75	90			FD0008F0
90	105			FD0015E0
95	110			FD0078F0
100	115			FD0018E0
105	120			FD0141F0
110	125			FD0003E0
115	130			FD0004E0
120	135			FD0005E0
125	140			
140	170	10	10 ^{+0.05}	FD0009L0
145	180	5	8 ^{+0.05}	FD0713E0
150	180	11	11 ^{+0.05}	FD0006E0
160	190	8	8 ^{+0.05}	FD0715L0
160	190	9	9 ^{+0.05}	FD0716L0
160	190	13	13 ^{+0.05}	FD0710L0
170	200	13	13 ^{+0.05}	FD0702F0
175	205	8	8 ^{+0.05}	FD0711F0
180	200	8	8 ^{+0.05}	FD0727F0
180	210	13	13 ^{+0.05}	FD0709F0
180	210	8		FD0728E0
200	220	8	8 ^{+0.05}	FD0709E0
200	230	8		FD0730E0
200	230	13	13 ^{+0.05}	FD0723L0
220	230	13		FD0073E0
220	230	14	14 ^{+0.05}	FD0774E0
230	235	14		FD0700F0
240	270	13	13 ^{+0.05}	FD0724E0
240	275	14	14 ^{+0.05}	FD0703F0
250	280	13	13 ^{+0.05}	

DLI2 TYPE

DUST SEALS FOR
OSCILLATING MOVEMENT
IRON RUBBER (AU)



F
DIMEN
SION
DLI
2

- Please designate NOK Part number and type & size on your order.

(Example) • Type Dimensions

DLI2 35 45 4

Type Sign

Nominal Size of Dust Seal
described in order of
inner diameter(d), outer diameter(D), and height(h)

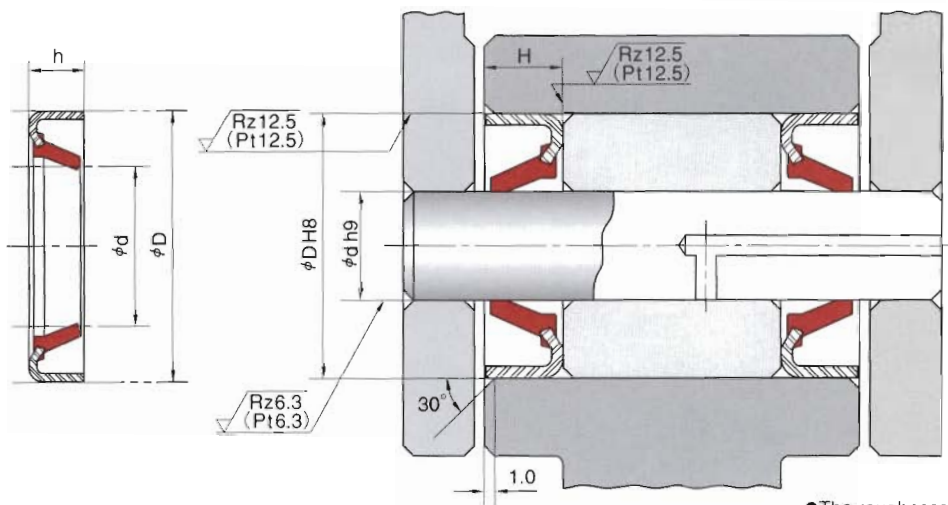
• Part Number

FD2032G0

- Please check the application range on pages 15 before selecting the type.

Material	NOK U451 + Metal case (SPCC)
-----------------	------------------------------

DLI2 TYPE DUST SEALS FOR OSCILLATING MOVEMENT



●The roughness is JIS B 0601 : 2001.
When regulation length cannot be kept, apply Pt.

Nominal Size of Dust Seal, and Housing dimensions				NOK Part Number
d	D	h	H	
35	45	4	4 ^{+0.5} / _{-0.3}	FD2032G0
40	50	5	5 ^{+0.5} / _{+0.3}	FD9991E1
50	60			FD9990E1
55	68	6	6 ^{+0.5} / _{-0.3}	FD9996E1
60	75			FD3192E1
65	80	8	8 ^{+0.6} / _{+0.4}	FD9994E1
70	85			FD9922E1
75	90			FD3598E1
85	100			FD9989E1
95	110			FD3978F1
110	125			FD9993E1
120	135			FD9938E1
125	140			FD9995E1
140	155			FD6714E1
145	160			FD6713E1